

Features

- Standardized solution for seamless integration with 1600 Wall System®1, 1600 Wall System®2, 1600UT System®1, 1600UT System®2, 1600 Wall System®5, 1600 SS, 1600 SS SSG and 1630 SS IR.
- Tested for combined wind, snow and dead loads
- 30" (762 mm) and 36" (914.4 mm) deep Outriggers are standard
- Fully pre-engineered 90° and 135° inside and outside corners
- Thermally broken attachment method for 1600 Wall System®1, 1600UT System®1, 1600 SS, 1600 SS SSG and 1630 SS IR.
- 1600 Wall System®2, 1600UT System®2 and 1600 SS SSG allow 2 sided SSG.
- Attachment bracket designed to accept shallow and deep covers
- Easy to use Load Charts quicken design process
- Refreshing new blade options, with tubular profiles for spanning wider openings
- 44 different combinations of outrigger and blade styles allow aesthetic & shading performance flexibility
- Qualified for up to 3 different LEED Certification criteria
- Permanodic® anodized finishes option
- Painted finishes in standard and custom choices
- Shading performance can be analyzed by Solector® Sun Shading Estimator Tool

Product Application

- Curtain Wall Facades
- Interior aesthetical application

For specific product applications,
consult your Kawneer representative.

Laws and building and safety codes governing the design and use of Kawneer products, such as glazed entrance, window, and curtain wall products, vary widely. Kawneer does not control the selection of product configurations, operating hardware, or glazing materials, and assumes no responsibility therefor.

Kawneer reserves the right to change configuration without prior notice when deemed necessary for product improvement.
© 2014, Kawneer Company, Inc.

Architects - Most extrusion and window types illustrated in this catalog are standard products for Kawneer. These concepts have been expanded and modified to afford you design freedom. Some miscellaneous details are non-standard and are intended to demonstrate how the system can be modified to expand design flexibility. Please contact your Kawneer representative for further assistance.

1600 WALL SYSTEM®14

1600 WALL SYSTEM®25

1600UT SYSTEM®1

1" INFILL.....6

1-3/4" INFILL7

1600UT SYSTEM®2

1" INFILL.....8

1600 WALL SYSTEM®59

1600 SS10

1600 SS SSG.....11

1630 SS IR12

90° and 135° CORNERS13,14

SUNSHADE COMBINATIONS15,16

LOAD CHARTS 17-19

Metric (SI) conversion figures are included throughout these details for reference. Numbers in parentheses () are millimeters unless otherwise noted.

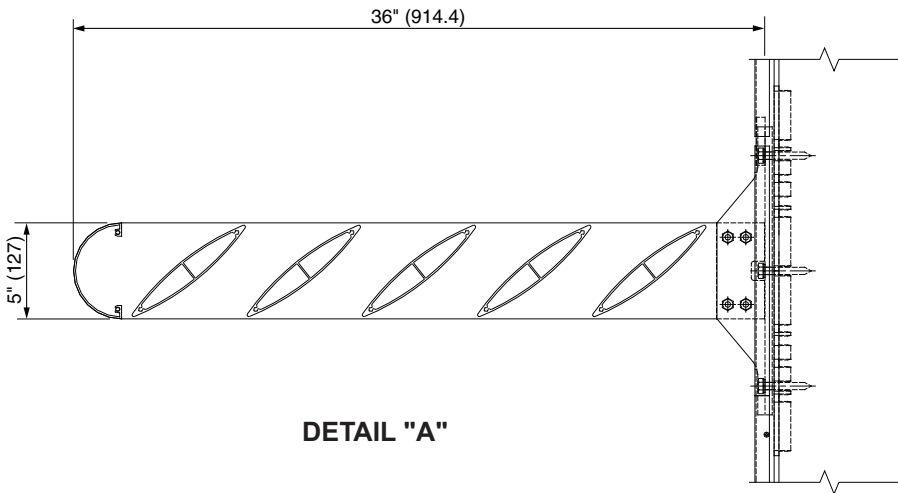
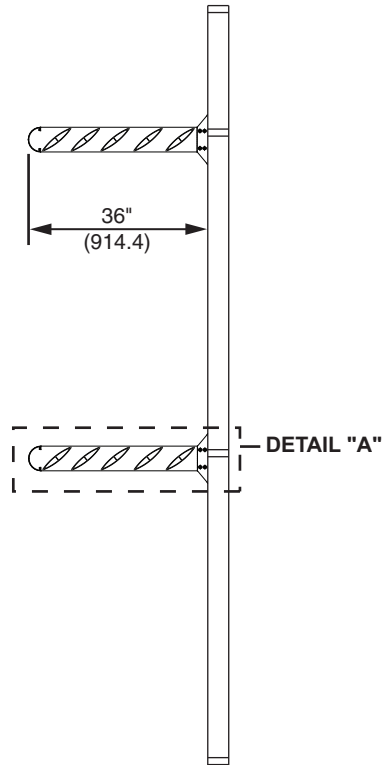
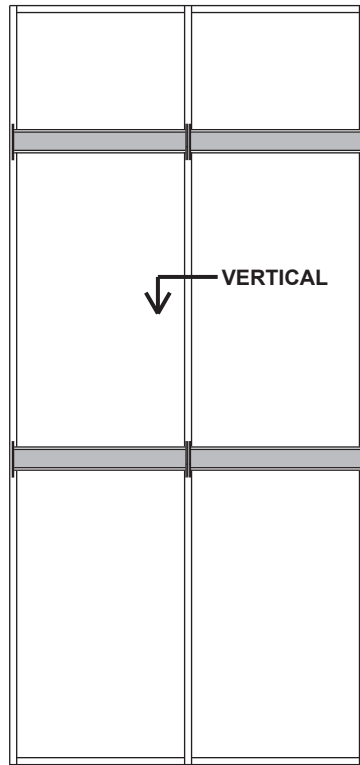
The following metric (SI) units are found in these details:

- m – meter
- cm – centimeter
- mm – millimeter
- s – second
- Pa – pascal
- MPa – megapascal

Laws and building and safety codes governing the design and use of Kawneer products, such as glazed entrance, window, and curtain wall products, vary widely. Kawneer does not control the selection of product configurations, operating hardware, or glazing materials, and assumes no responsibility therefor.

Kawneer reserves the right to change configuration without prior notice when deemed necessary for product improvement.
© 2014, Kawneer Company, Inc.

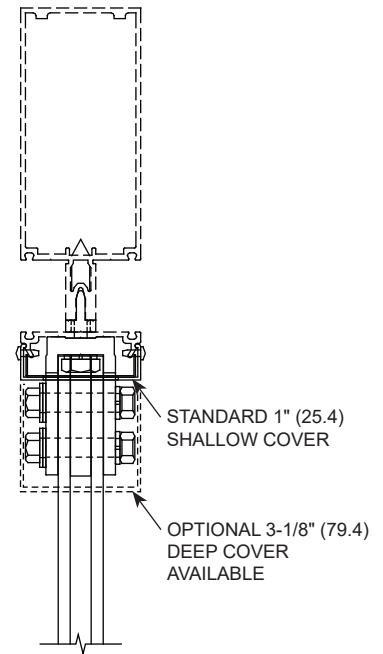
Additional information and CAD details are available at www.kawneer.com



SHOWN WITH 36" ROUNDED OUTRIGGER,
AIRFOIL BLADE, BULLNOSE FASCIA,
AND SHALLOW COVER.

NOTE:

Horizontal sunshades are not recommended directly over entrances and walkways to eliminate any risk of injury due to falling ice or snow.
Attachment bracket is painted only and will be painted to match anodized finish.



**SECTION VIEW
THROUGH VERTICAL
MULLION**

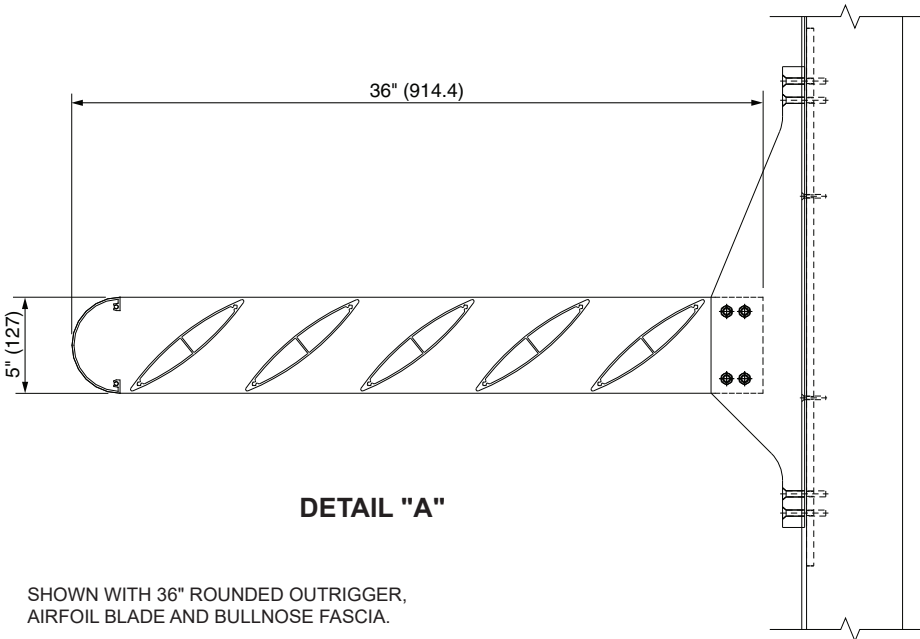
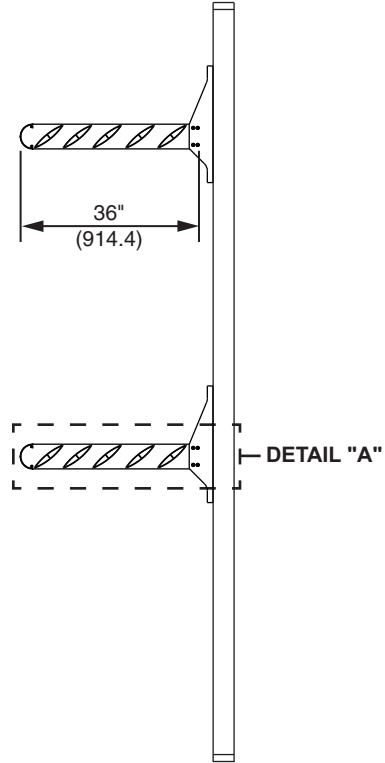
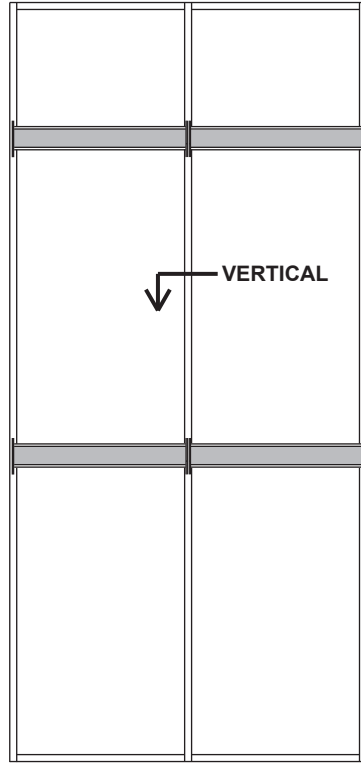
Laws and building and safety codes governing the design and use of Kawneer products, such as glazed entrance, window, and curtain wall products, vary widely. Kawneer does not control the selection of product configurations, operating hardware, or glazing materials, and assumes no responsibility therefor.

Kawneer reserves the right to change configuration without prior notice when deemed necessary for product improvement.
© 2014, Kawneer Company, Inc.

Additional information and CAD details are available at www.kawneer.com

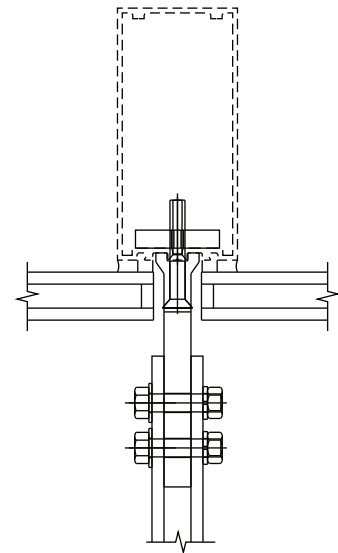
Laws and building and safety codes governing the design and use of Kawneer products, such as glazed entrance, window, and curtain wall products, vary widely. Kawneer does not control the selection of product configurations, operating hardware, or glazing materials, and assumes no responsibility therefor.

Kawneer reserves the right to change configuration without prior notice when deemed necessary for product improvement.
© 2014, Kawneer Company, Inc.



DETAIL "A"

SHOWN WITH 36" ROUNDED OUTRIGGER, AIRFOIL BLADE AND BULLNOSE FASCIA.

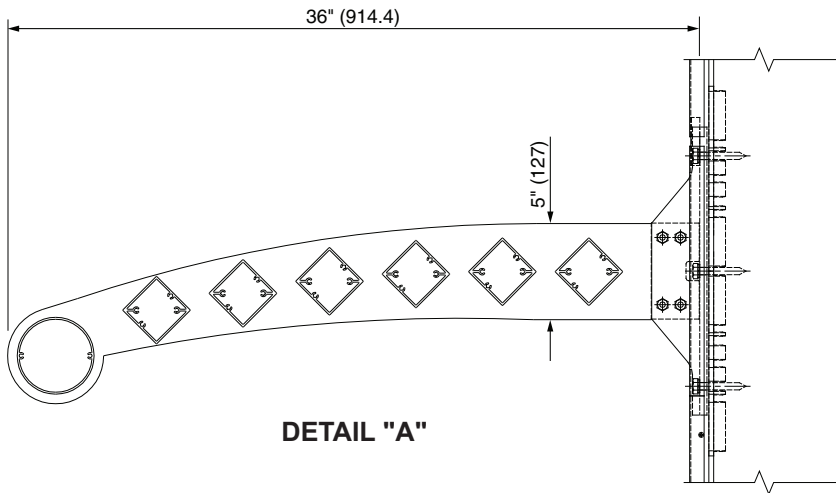
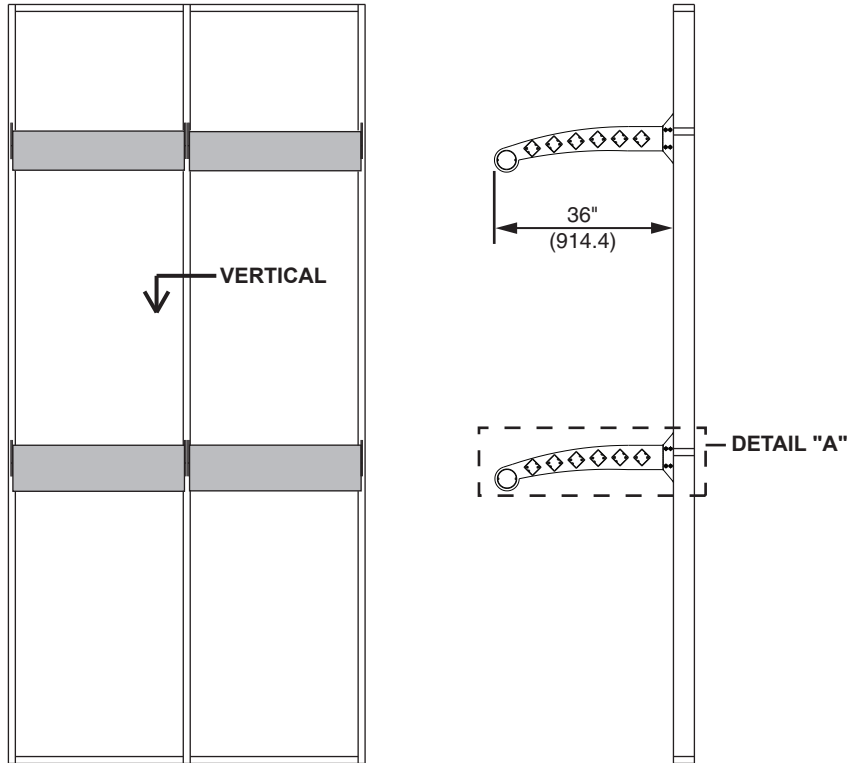


SECTION VIEW THROUGH VERTICAL MULLION

NOTE:

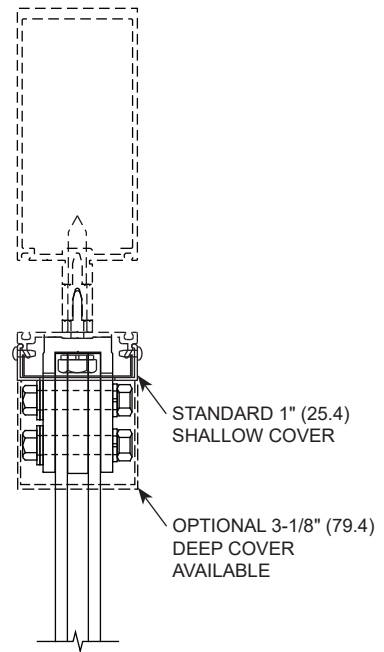
Horizontal sunshades are not recommended directly over entrances and walkways to eliminate any risk of injury due to falling ice or snow. Attachment bracket is painted only and will be painted to match anodized finish.

Additional information and CAD details are available at www.kawneer.com



SHOWN WITH 36" CURVED OUTRIGGER,
DIAMOND BLADE, CIRCULAR FASCIA,
AND SHALLOW COVER.

NOTE:
Horizontal sunshades are not recommended directly over entrances and walkways to eliminate any risk of injury due to falling ice or snow.
Attachment bracket is painted only and will be painted to match anodized finish.



**SECTION VIEW
THROUGH VERTICAL
MULLION**

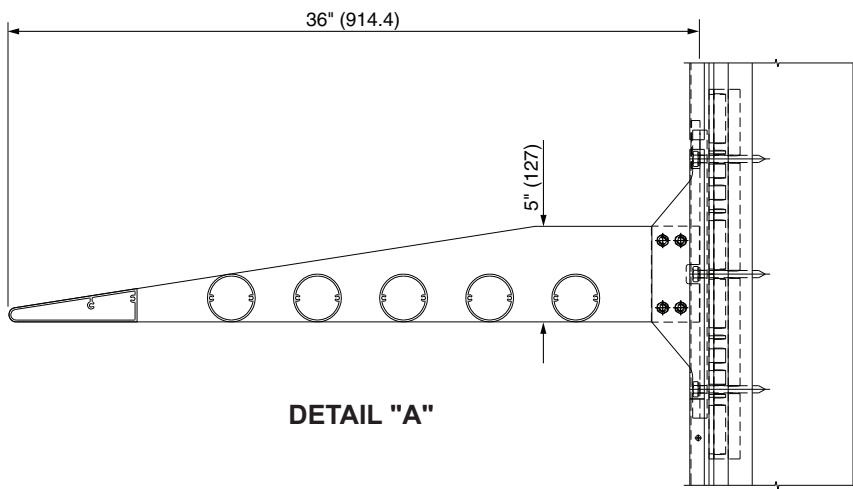
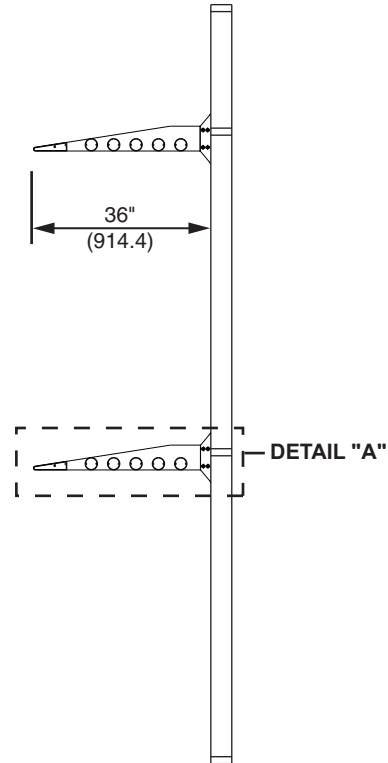
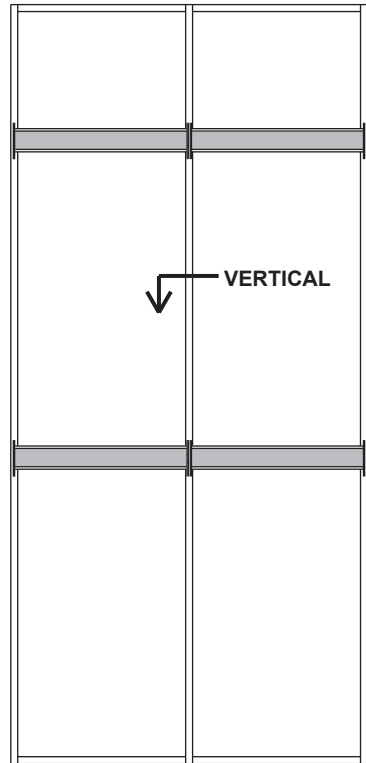
Laws and building and safety codes governing the design and use of Kawneer products, such as glazed entrance, window, and curtain wall products, vary widely. Kawneer does not control the selection of product configurations, operating hardware, or glazing materials, and assumes no responsibility therefor.

Kawneer reserves the right to change configuration without prior notice when deemed necessary for product improvement.
© 2014, Kawneer Company, Inc.

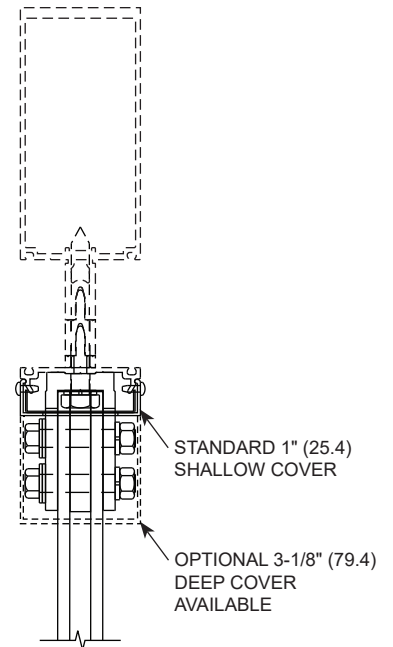
Additional information and CAD details are available at www.kawneer.com

Laws and building and safety codes governing the design and use of Kawneer products, such as glazed entrance, window, and curtain wall products, vary widely. Kawneer does not control the selection of product configurations, operating hardware, or glazing materials, and assumes no responsibility therefor.

Kawneer reserves the right to change configuration without prior notice when deemed necessary for product improvement.
© 2014, Kawneer Company, Inc.



SHOWN WITH 36" WEDGE OUTRIGGER, CIRCULAR BLADE, ANGULAR FASCIA, AND SHALLOW COVER.

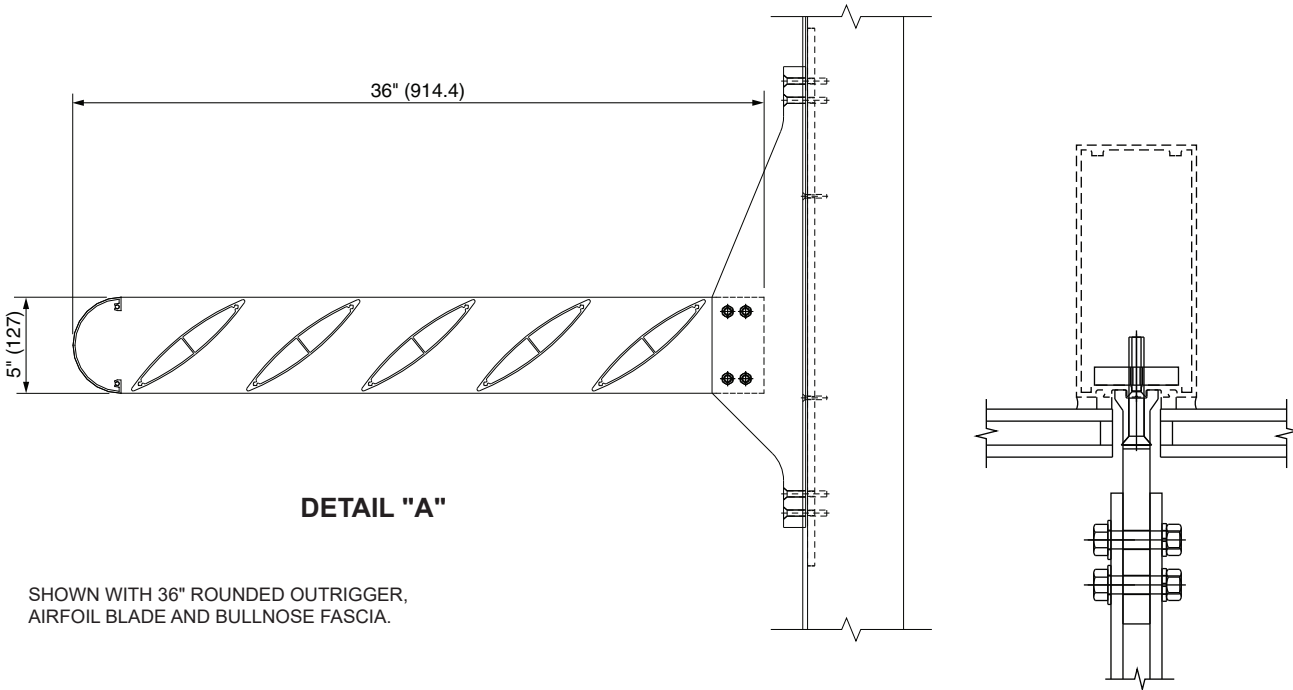
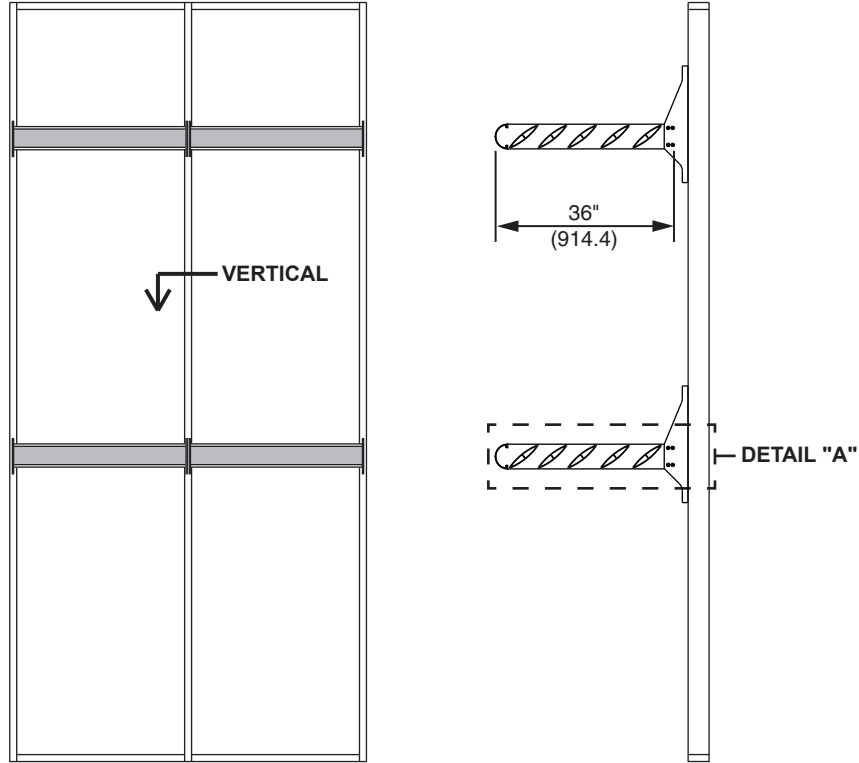


SECTION VIEW THROUGH VERTICAL MULLION

NOTE:

Horizontal sunshades are not recommended directly over entrances and walkways to eliminate any risk of injury due to falling ice or snow. Attachment bracket is painted only and will be painted to match anodized finish.

Additional information and CAD details are available at www.kawneer.com



DETAIL "A"

SHOWN WITH 36" ROUNDED OUTRIGGER, AIRFOIL BLADE AND BULLNOSE FASCIA.

NOTE:

Horizontal sunshades are not recommended directly over entrances and walkways to eliminate any risk of injury due to falling ice or snow. Attachment bracket is painted only and will be painted to match anodized finish.

SECTION VIEW THROUGH VERTICAL MULLION

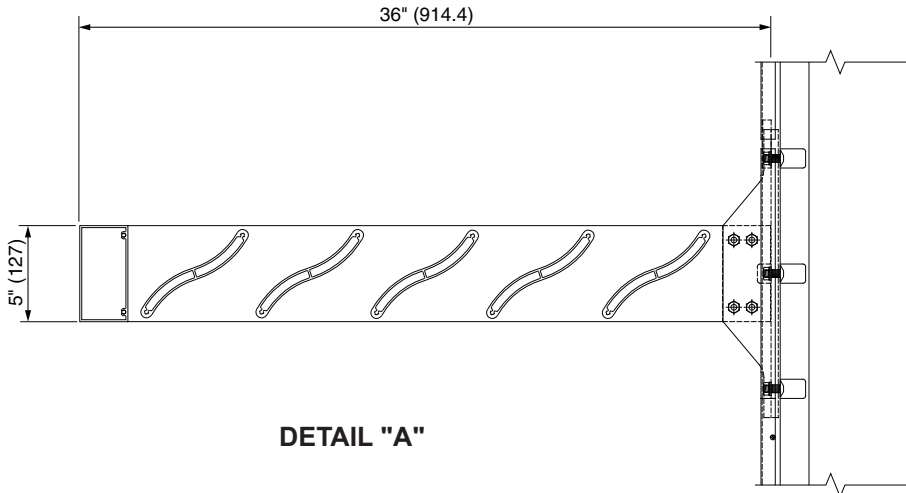
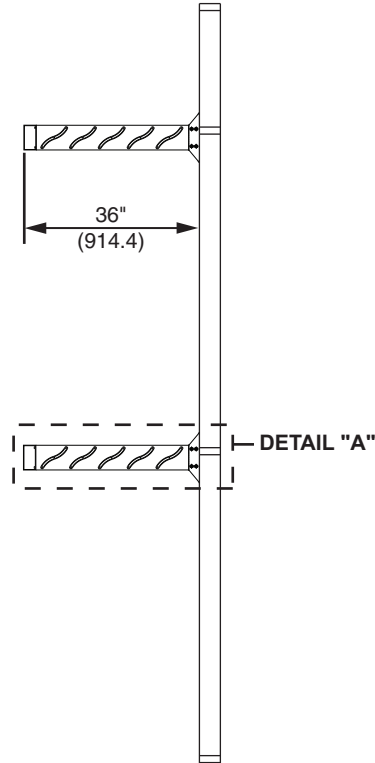
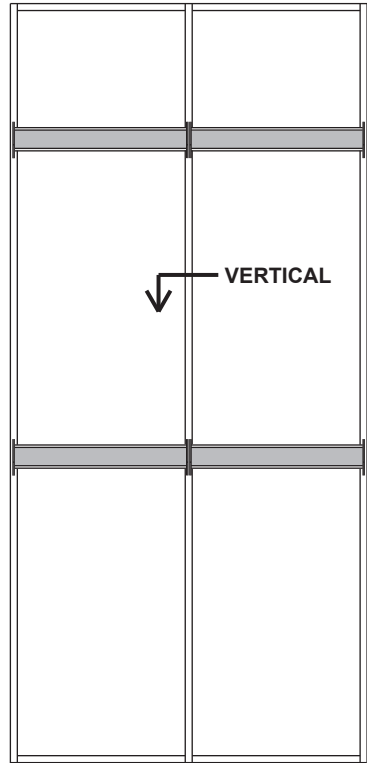
Laws and building and safety codes governing the design and use of Kawneer products, such as glazed entrance, window, and curtain wall products, vary widely. Kawneer does not control the selection of product configurations, operating hardware, or glazing materials, and assumes no responsibility therefor.

Kawneer reserves the right to change configuration without prior notice when deemed necessary for product improvement.
© 2014, Kawneer Company, Inc.

Additional information and CAD details are available at www.kawneer.com

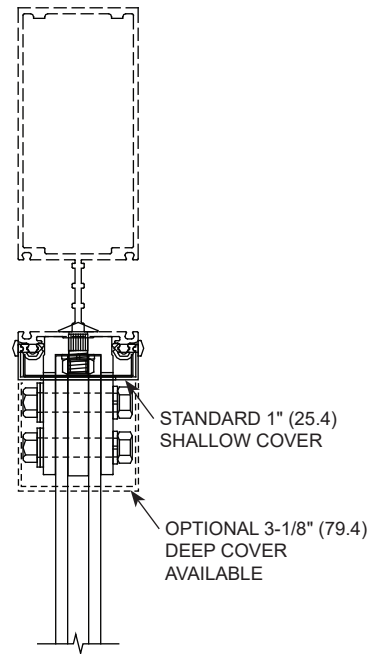
Laws and building and safety codes governing the design and use of Kawneer products, such as glazed entrance, window, and curtain wall products, vary widely. Kawneer does not control the selection of product configurations, operating hardware, or glazing materials, and assumes no responsibility therefor.

Kawneer reserves the right to change configuration without prior notice when deemed necessary for product improvement.
© 2014, Kawneer Company, Inc.



DETAIL "A"

SHOWN WITH 36" SQUARE OUTRIGGER, WAVE BLADE, RECTANGULAR FASCIA, AND SHALLOW COVER.

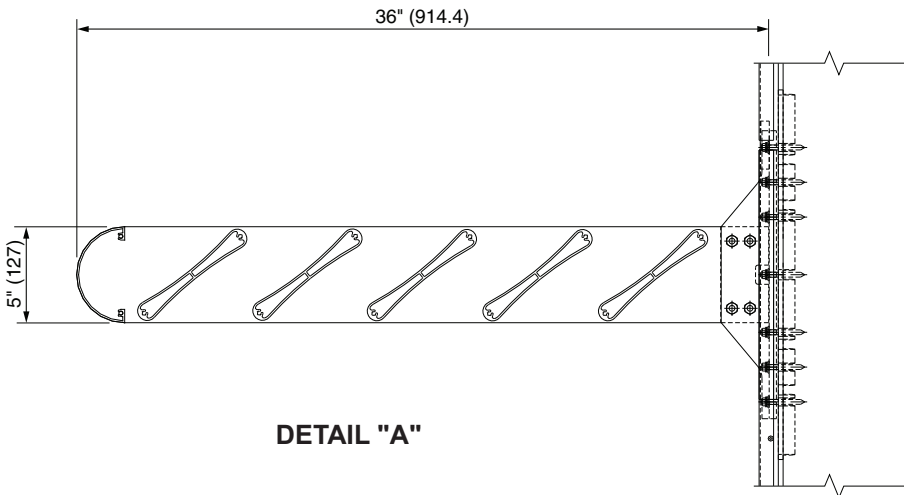
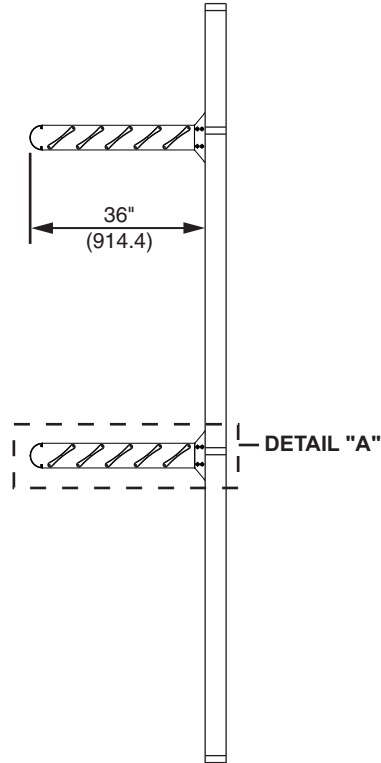
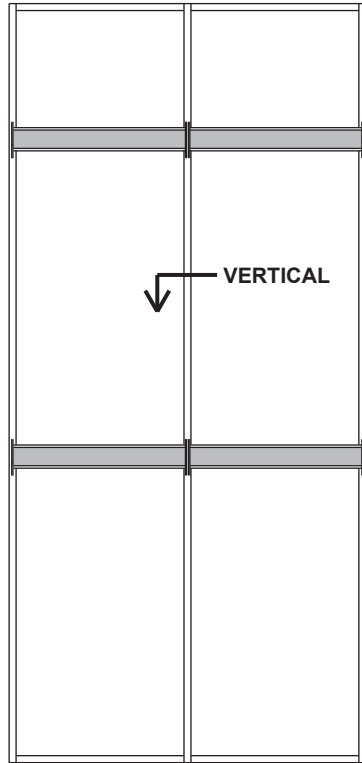


SECTION VIEW THROUGH VERTICAL MULLION

NOTE:

Horizontal sunshades are not recommended directly over entrances and walkways to eliminate any risk of injury due to falling ice or snow. Attachment bracket is painted only and will be painted to match anodized finish.

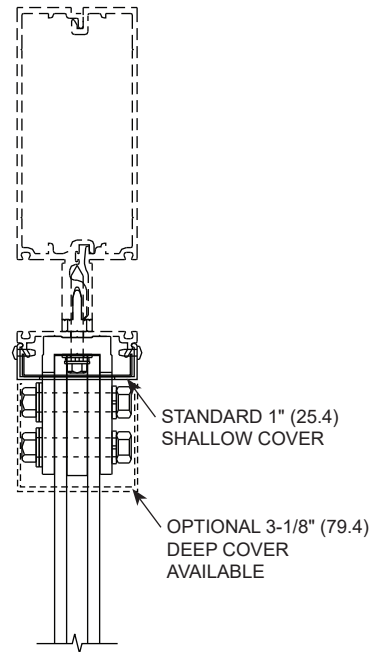
Additional information and CAD details are available at www.kawneer.com



SHOWN WITH 36" ROUNDED OUTRIGGER,
FLARE BLADE, BULLNOSE FASCIA,
AND SHALLOW COVER.

NOTE:

Horizontal sunshades are not recommended directly over entrances and walkways to eliminate any risk of injury due to falling ice or snow. Attachment bracket is painted only and will be painted to match anodized finish.



**SECTION VIEW
THROUGH VERTICAL
MULLION**

STANDARD 1" (25.4)
SHALLOW COVER

OPTIONAL 3-1/8" (79.4)
DEEP COVER
AVAILABLE

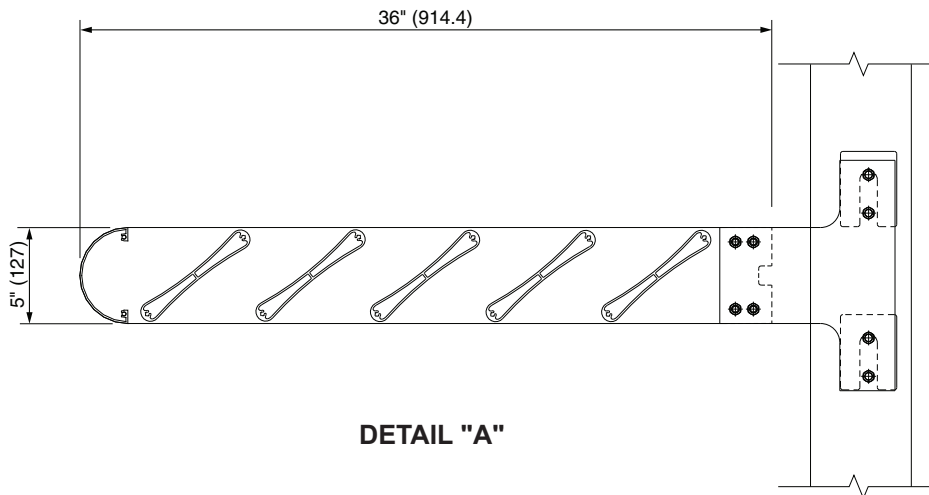
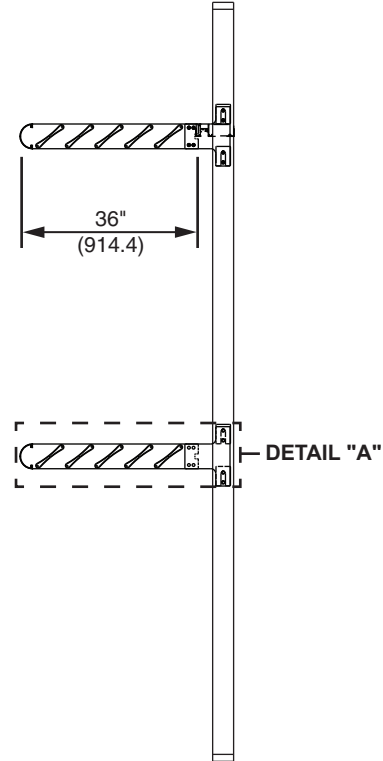
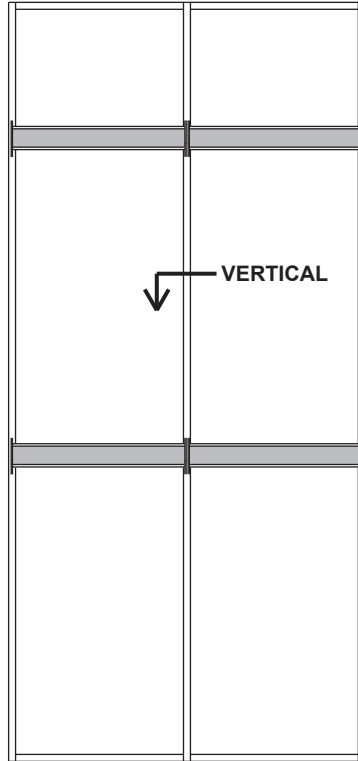
Laws and building and safety codes governing the design and use of Kawneer products, such as glazed entrance, window, and curtain wall products, vary widely. Kawneer does not control the selection of product configurations, operating hardware, or glazing materials, and assumes no responsibility therefor.

Kawneer reserves the right to change configuration without prior notice when deemed necessary for product improvement.
© 2014, Kawneer Company, Inc.

Additional information and CAD details are available at www.kawneer.com

Laws and building and safety codes governing the design and use of Kawneer products, such as glazed entrance, window, and curtain wall products, vary widely. Kawneer does not control the selection of product configurations, operating hardware, or glazing materials, and assumes no responsibility therefor.

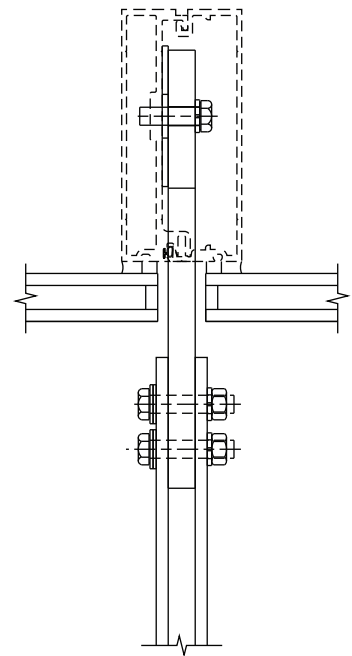
Kawneer reserves the right to change configuration without prior notice when deemed necessary for product improvement.
© 2014, Kawneer Company, Inc.



SHOWN WITH 36" ROUNDED OUTRIGGER, FLARE BLADE AND BULLNOSE FASCIA.

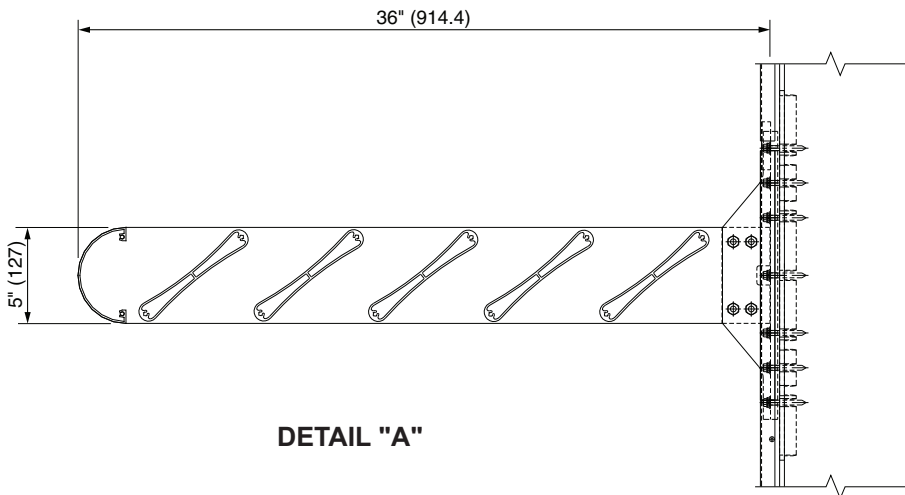
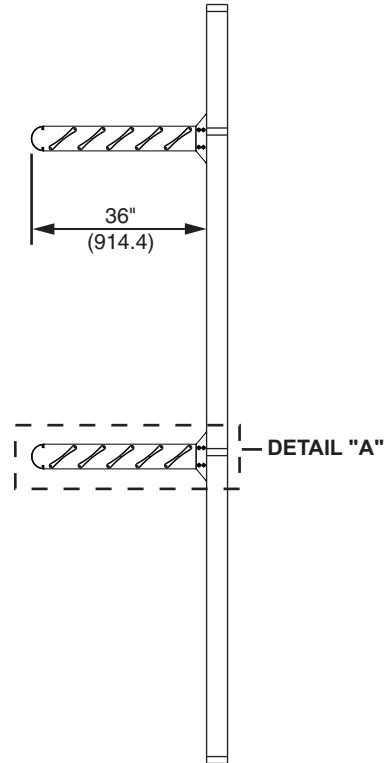
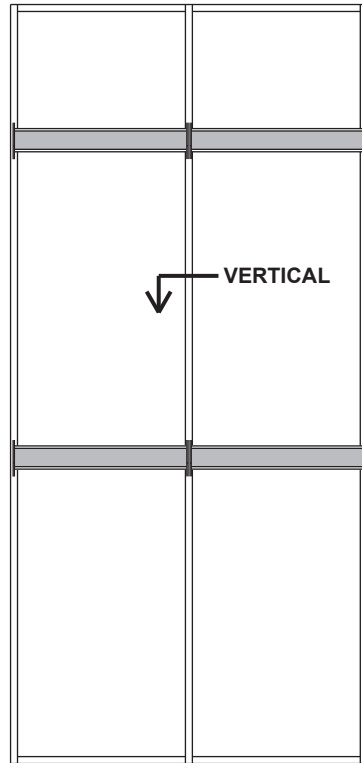
NOTE:

Horizontal sunshades are not recommended directly over entrances and walkways to eliminate any risk of injury due to falling ice or snow. Attachment bracket is painted only and will be painted to match anodized finish.



SECTION VIEW THROUGH VERTICAL MULLION

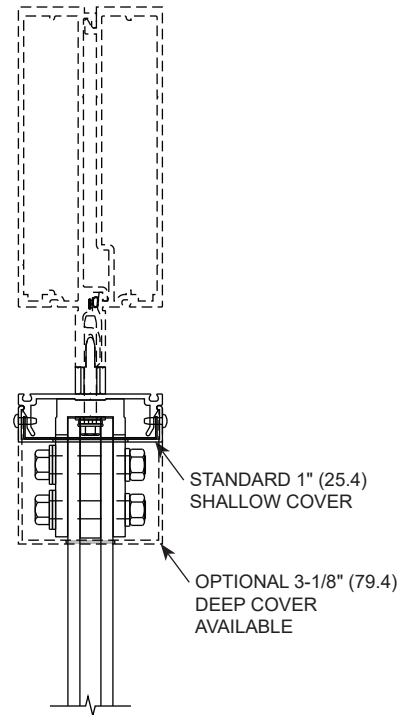
Additional information and CAD details are available at www.kawneer.com



SHOWN WITH 36" ROUNDED OUTRIGGER, FLARE BLADE, BULLNOSE FASCIA, AND SHALLOW COVER.

NOTE:

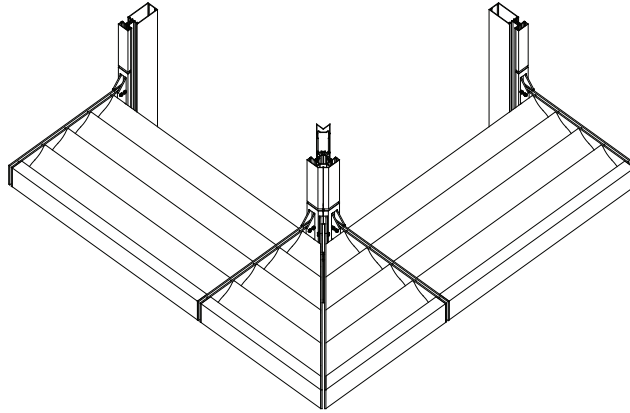
Horizontal sunshades are not recommended directly over entrances and walkways to eliminate any risk of injury due to falling ice or snow. Attachment bracket is painted only and will be painted to match anodized finish.



SECTION VIEW THROUGH VERTICAL MULLION

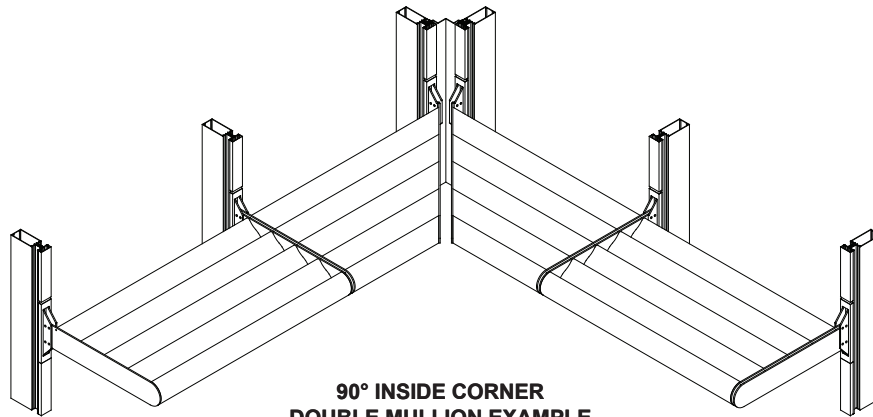
Laws and building and safety codes governing the design and use of Kawneer products, such as glazed entrance, window, and curtain wall products, vary widely. Kawneer does not control the selection of product configurations, operating hardware, or glazing materials, and assumes no responsibility therefor.

Kawneer reserves the right to change configuration without prior notice when deemed necessary for product improvement.
© 2014, Kawneer Company, Inc.



**90° OUTSIDE CORNER
SINGLE MULLION EXAMPLE**

SHOWN WITH 30" SQUARE OUTRIGGER, WAVE BLADE, RECTAGULAR FASCIA AND SHALLOW COVER.



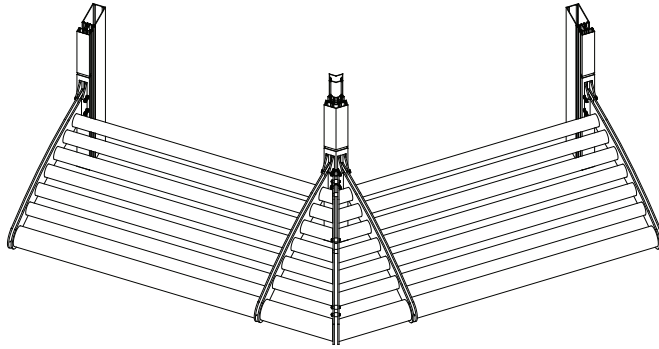
**90° INSIDE CORNER
DOUBLE MULLION EXAMPLE**

SHOWN WITH 30" ROUNDED OUTRIGGER, WAVE BLADE, BULLNOSE FASCIA AND SHALLOW COVER.

	90° INSIDE CORNER	90° OUTSIDE CORNER
1600 Wall System®1	Available with Double Mullion	Available with Single Mullion and Double Mullion
1600 Wall System®2	Use 1600 Wall System®1 Double Mullion	Available with Single Mullion
1600UT System®1	Available with Double Mullion	Available with Single Mullion and Double Mullion
1600UT System®2	Use 1600UT System®2 Double Mullion	Available with Single Mullion
1600 Wall System®5	Available with Double Mullion	Available with Double Mullion
1600 SS	Available with Double Mullion	Available with Double Mullion
1600 SS SSG	Use 1600 SS Double Mullion	Use 1600 Wall System®2 Single Mullion
1630 SS IR	Available with Double Mullion	Available with 1600 System®1 Single Mullion and Double Mullion

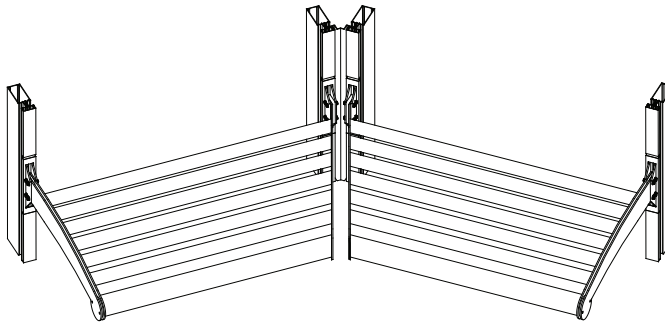
Laws and building and safety codes governing the design and use of Kawneer products, such as glazed entrance, window, and curtain wall products, vary widely. Kawneer does not control the selection of product configurations, operating hardware, or glazing materials, and assumes no responsibility therefor.

Kawneer reserves the right to change configuration without prior notice when deemed necessary for product improvement.
© 2014, Kawneer Company, Inc.



**135° OUTSIDE CORNER
SINGLE MULLION EXAMPLE**

SHOWN WITH 36" CURVED OUTRIGGER, CIRCULAR BLADE, CIRCULAR FASCIA AND SHALLOW COVER.



**135° INSIDE CORNER
DOUBLE MULLION EXAMPLE**

SHOWN WITH 36" CURVED OUTRIGGER, CIRCULAR BLADE, CIRCULAR FASCIA AND SHALLOW COVER.

	135° INSIDE CORDER	135° OUTSIDE CORNER
1600 Wall System®1	Available with Double Mullion	Available with Single Mullion and Double Mullion
1600 Wall System®2	Use 1600 Wall System®1 Double Mullion	Available with Single Mullion
1600UT System®1	Available with Double Mullion	Available with Single Mullion and Double Mullion
1600UT System®2	Use 1600UT System®2 Double Mullion	Available with Single Mullion
1600 Wall System®5	Available with Double Mullion	Available with Double Mullion
1600 SS	Available with Double Mullion	Available with Double Mullion
1600 SS SSG	Use 1600 SS Double Mullion	Use 1600 Wall System®2 Single Mullion
1630 SS IR	Available with Double Mullion	Available with Double Mullion
















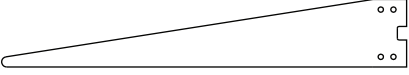
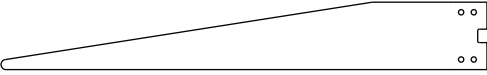


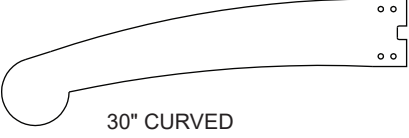
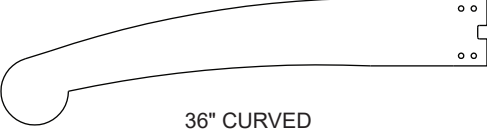




Laws and building and safety codes governing the design and use of Kawneer products, such as glazed entrance, window, and curtain wall products, vary widely. Kawneer does not control the selection of product configurations, operating hardware, or glazing materials, and assumes no responsibility therefor.

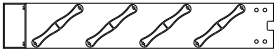
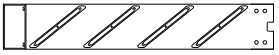


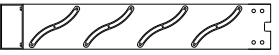

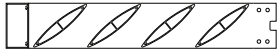
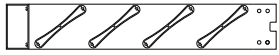

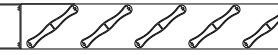
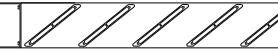

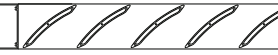


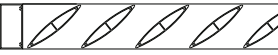
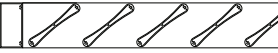

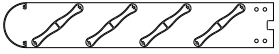
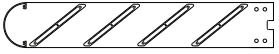

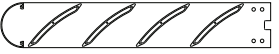
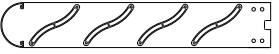
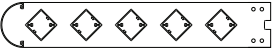
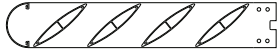
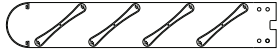

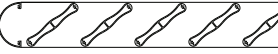
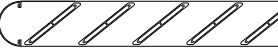


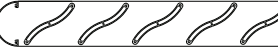

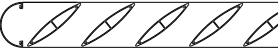
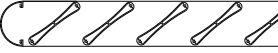

Kawneer reserves the right to change configuration without prior notice when deemed necessary for product improvement.



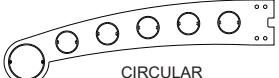

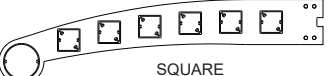
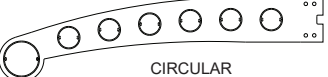
© 2014, Kawneer Company, Inc.


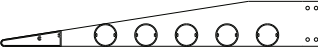
Laws and building and safety codes governing the design and use of Kawneer products, such as glazed entrance, window, and curtain wall products, vary widely. Kawneer does not control the selection of product configurations, operating hardware, or glazing materials, and assumes no responsibility therefor.

Kawneer reserves the right to change configuration without prior notice when deemed necessary for product improvement.
© 2014, Kawneer Company, Inc.

STANDARD OUTRIGGERS	STANDARD FASCIAS	STANDARD BLADES	
 <p>30" SQUARE</p>  <p>36" SQUARE</p>	 <p>RECTANGULAR</p>	 <p>INFINITY</p>  <p>ARCH</p>	 <p>FLARE</p>  <p>CIRCULAR</p>
 <p>30" ROUNDED</p>  <p>36" ROUNDED</p>	 <p>BULLNOSE</p>	 <p>AIRFOIL</p>  <p>PLANAR</p>  <p>WAVE</p>	 <p>DIAMOND</p>  <p>SQUARE</p>
 <p>30" WEDGE</p>  <p>36" WEDGE</p>	 <p>ANGULAR</p>	 <p>CIRCULAR</p>	
 <p>30" CURVED</p>  <p>36" CURVED</p>	 <p>CIRCULAR</p>	 <p>CIRCULAR</p>  <p>DIAMOND</p>	 <p>SQUARE</p>

<p>30" SQUARE OUTRIGGER</p>	 INFINITY  PLANAR  CIRCULAR	 ARCH  WAVE  DIAMOND	 AIRFOIL  FLARE  SQUARE
<p>36" SQUARE OUTRIGGER</p>	 INFINITY  PLANAR  CIRCULAR	 ARCH  WAVE  DIAMOND	 AIRFOIL  FLARE  SQUARE
<p>30" ROUNDED OUTRIGGER</p>	 INFINITY  PLANAR  CIRCULAR	 ARCH  WAVE  DIAMOND	 AIRFOIL  FLARE  SQUARE
<p>36" ROUNDED OUTRIGGER</p>	 INFINITY  PLANAR  CIRCULAR	 ARCH  WAVE  DIAMOND	 AIRFOIL  FLARE  SQUARE

<p>30" CURVED OUTRIGGER</p>	 DIAMOND  SQUARE  CIRCULAR
<p>36" CURVED OUTRIGGER</p>	 DIAMOND  SQUARE  CIRCULAR

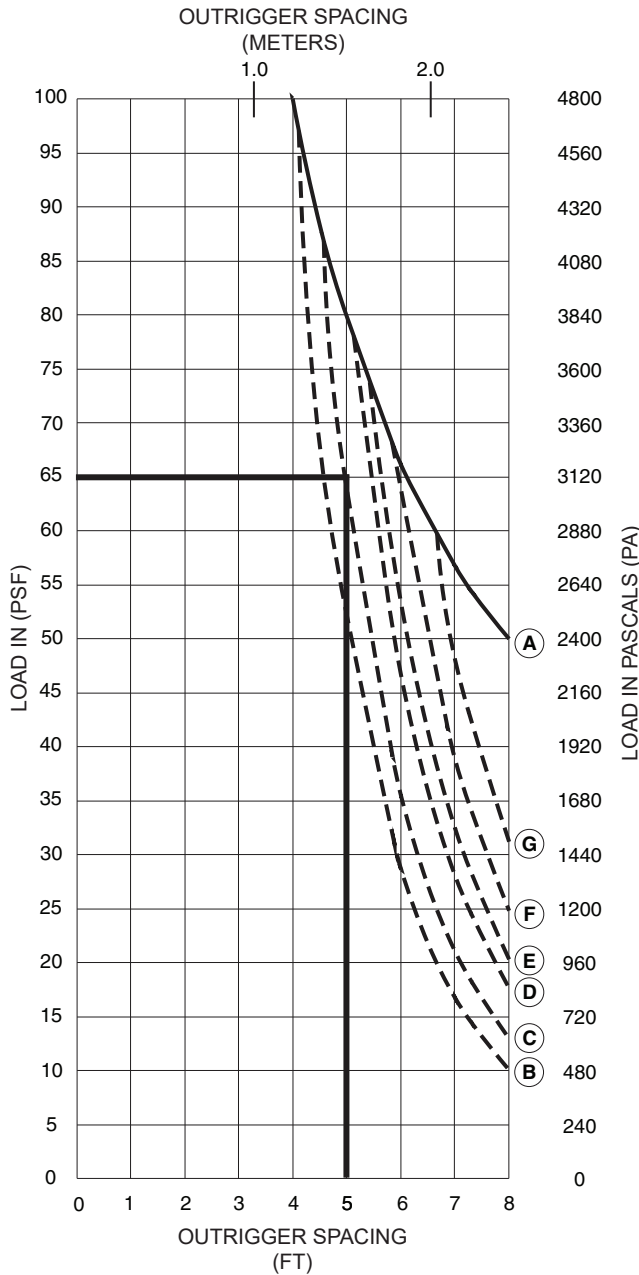
<p>30" WEDGE OUTRIGGER</p>	 CIRCULAR
<p>36" WEDGE OUTRIGGER</p>	 CIRCULAR

Laws and building and safety codes governing the design and use of Kawneer products, such as glazed entrance, window, and curtain wall products, vary widely. Kawneer does not control the selection of product configurations, operating hardware, or glazing materials, and assumes no responsibility therefor.

Kawneer reserves the right to change configuration without prior notice when deemed necessary for product improvement.
© 2014, Kawneer Company, Inc.

Laws and building and safety codes governing the design and use of Kawneer products, such as glazed entrance, window, and curtain wall products, vary widely. Kawneer does not control the selection of product configurations, operating hardware, or glazing materials, and assumes no responsibility therefor.

Kawneer reserves the right to change configuration without prior notice when deemed necessary for product improvement.
© 2014, Kawneer Company, Inc.



LOAD CHART EXAMPLE

**1600 Wall System®1
30" OUTRIGGER**

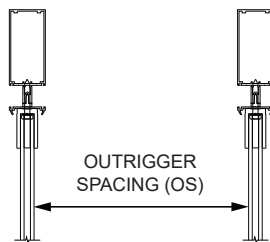
Combined Load (Wind, Snow, Ice, etc.) = 65 PSF

Outrigger Spacing = 5' 0"

Outrigger Projection = 30"

Looking at the chart the following combinations are possible:

- 30" LONG OUTRIGGER WITH:**
- A** - CIRCULAR BLADE (482010)
 - SQUARE BLADE (494011)
 - DIAMOND BLADE (494011)
 - C** - ARCH BLADE (494006)
 - D** - FLARE BLADE (494008)
 - E** - WAVE BLADE (494010)
 - F** - INFINITY BLADE (494009)
 - G** - AIRFOIL BLADE (494005)



CENTER LINE TO CENTER LINE OF MULLIONS =
OUTRIGGER SPACING (OS) + 0.938"

LOAD IS A COMBINATION OF ALL APPLIED
LOADS, SUCH AS WIND, SNOW, ICE, ETC.
ACTING PERPENDICULAR TO THE BLADE.
CHARTS HAVE BEEN ADJUSTED TO
ACCOUNT FOR THE DEAD LOAD OF
THE BLADES AND OUTRIGGER.

- A** - 30" OUTRIGGER with
○ CIRCULAR BLADE 482010 or
◻ ◊ SQUARE / DIAMOND BLADE 494011
- B** - PLANAR BLADE 494007
- C** - ARCH BLADE 494006
- D** - FLARE BLADE 494008
- E** - WAVE BLADE 494010
- F** - INFINITY BLADE 494009
- G** - AIRFOIL BLADE 494005

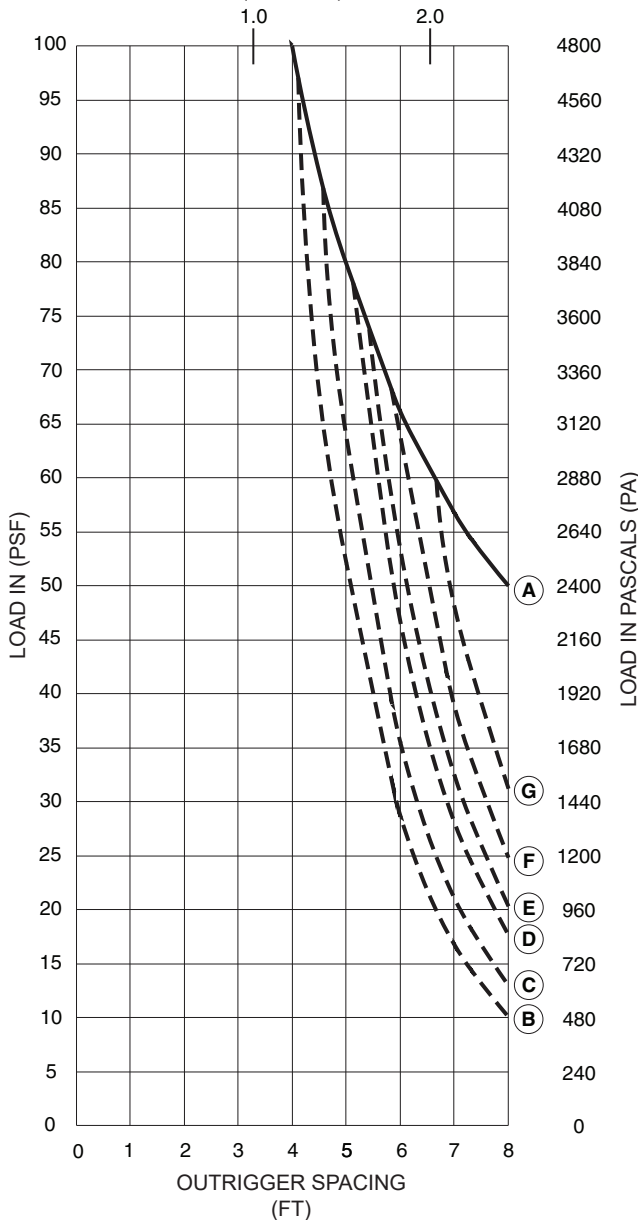
CURVE NOTES:
LINES BECOME DASHED WHERE SPECIFIC BLADES
LIMIT LOAD CAPACITY.

ALLOWABLE DEFLECTION IS BASED ON L/120.

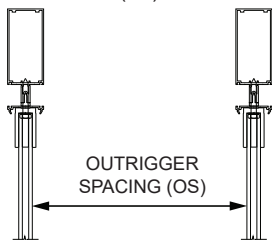
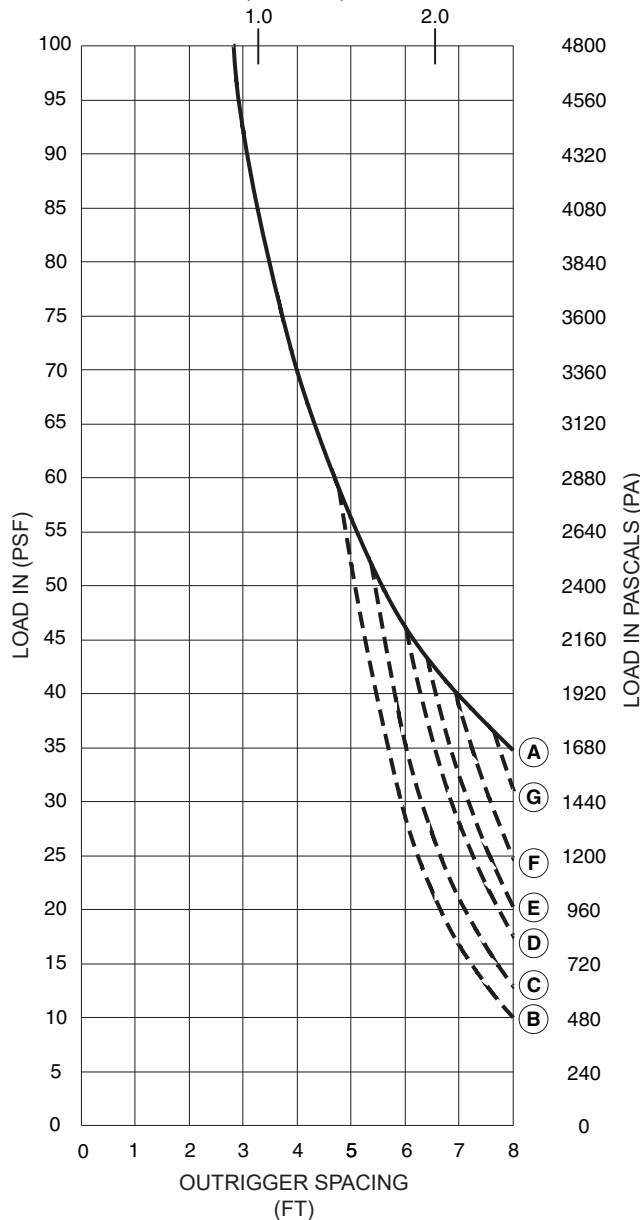
CURVES SHOWN REPRESENT THE ALLOWABLE LOADING
AT BOTH INTERMEDIATE AND CORNER CONDITIONS.

1600 Wall System®1, 1600 Wall System®2, 1600UT System®1, 1600UT System®2 (With 1-3/4" Triple Glazed Infill)
1600 SS, 1600 SS SSG and 1630 SS IR (With 1-5/16" Double Glazed Infill)

30" OUTRIGGER
 OUTRIGGER SPACING
 (METERS)



36" OUTRIGGER
 OUTRIGGER SPACING
 (METERS)



CENTER LINE TO CENTER LINE OF MULLIONS =
 (OS) + 0.938" (1600 System®1, 1600 SS, 1600UT System®1, 1600UT System®2 and 1630 SS IR)
 (OS) + 1.062" (1600 System®2, 1600 SS SSG)

LOAD IS A COMBINATION OF ALL APPLIED LOADS, SUCH AS WIND, SNOW, ICE, ETC. ACTING PERPENDICULAR TO THE BLADE.
 CHARTS HAVE BEEN ADJUSTED TO ACCOUNT FOR THE DEAD LOAD OF THE BLADES AND OUTRIGGER.

- A - 30" or 36" OUTRIGGER with
 - CIRCULAR BLADE 482010 or
 - ◊ SQUARE / DIAMOND BLADE 494011
- B - PLANAR BLADE 494007
- C - ARCH BLADE 494006
- D - FLARE BLADE 494008
- E - WAVE BLADE 494010
- F - INFINITY BLADE 494009
- G - AIRFOIL BLADE 494005

CURVE NOTES:

LINES BECOME DASHED WHERE SPECIFIC BLADES LIMIT LOAD CAPACITY.

ALLOWABLE DEFLECTION IS BASED ON L/120.

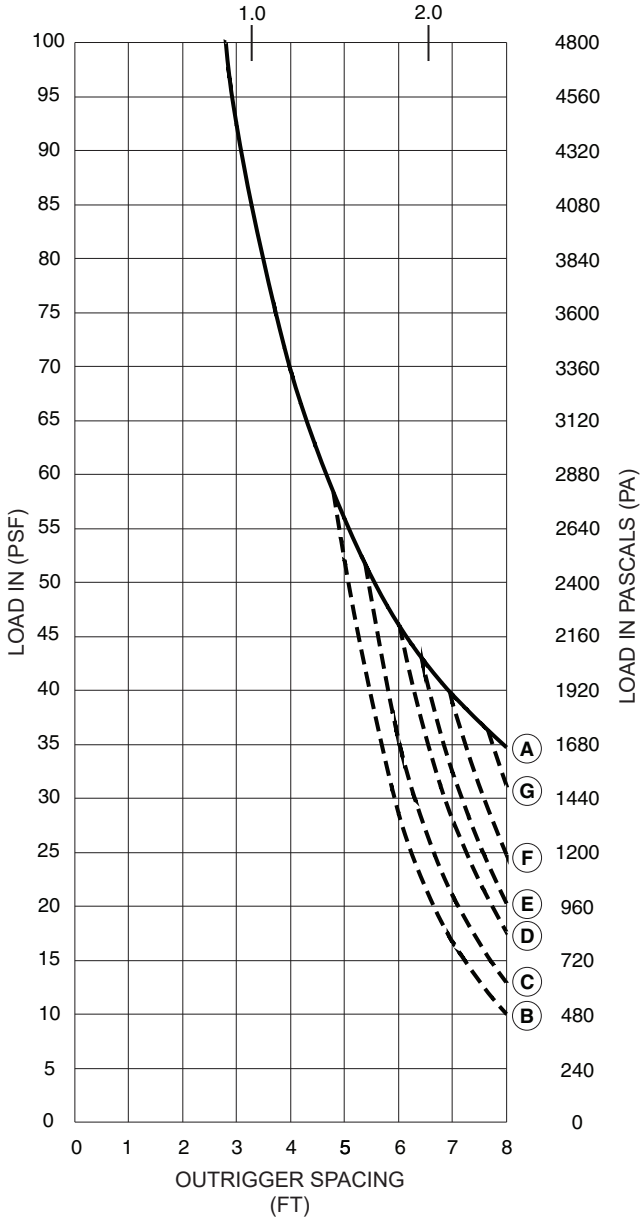
CURVES SHOWN REPRESENT THE ALLOWABLE LOADING AT BOTH INTERMEDIATE AND CORNER CONDITIONS.

Laws and building and safety codes governing the design and use of Kawneer products, such as glazed entrance, window, and curtain wall products, vary widely. Kawneer does not control the selection of product configurations, operating hardware, or glazing materials, and assumes no responsibility therefor.

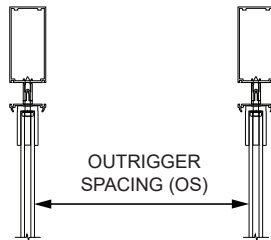
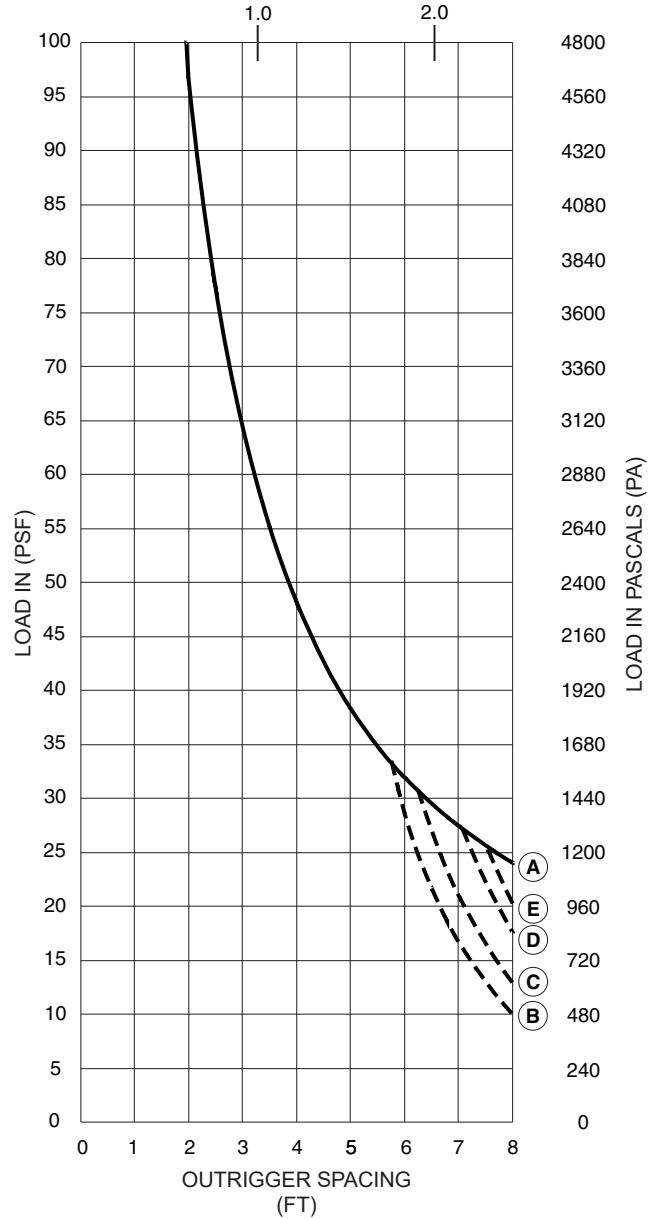
Kawneer reserves the right to change configuration without prior notice when deemed necessary for product improvement.
 © 2014, Kawneer Company, Inc.

1600 Wall System®5 and 1600UT System®1 (With 1" Double Glazed Infill)

30" OUTRIGGER
OUTRIGGER SPACING
(METERS)



36" OUTRIGGER
OUTRIGGER SPACING
(METERS)



CENTER LINE TO CENTER LINE OF MULLIONS = (OS) + 0.938" (1600 System®5, 1600UT System®1)

LOAD IS A COMBINATION OF ALL APPLIED LOADS, SUCH AS WIND, SNOW, ICE, ETC. ACTING PERPENDICULAR TO THE BLADE. CHARTS HAVE BEEN ADJUSTED TO ACCOUNT FOR THE DEAD LOAD OF THE BLADES AND OUTRIGGER.

CURVE NOTES:

LINES BECOME DASHED WHERE SPECIFIC BLADES LIMIT LOAD CAPACITY.

ALLOWABLE DEFLECTION IS BASED ON L/120.

CURVES SHOWN REPRESENT THE ALLOWABLE LOADING AT BOTH INTERMEDIATE AND CORNER CONDITIONS.

Laws and building and safety codes governing the design and use of Kawneer products, such as glazed entrance, window, and curtain wall products, vary widely. Kawneer does not control the selection of product configurations, operating hardware, or glazing materials, and assumes no responsibility therefor.

Kawneer reserves the right to change configuration without prior notice when deemed necessary for product improvement.
© 2014, Kawneer Company, Inc.

Laws and building and safety codes governing the design and use of Kawneer products, such as glazed entrance, window, and curtain wall products, vary widely. Kawneer does not control the selection of product configurations, operating hardware, or glazing materials, and assumes no responsibility therefor.

Kawneer reserves the right to change configuration without prior notice when deemed necessary for product improvement.
© 2014, Kawneer Company, Inc.